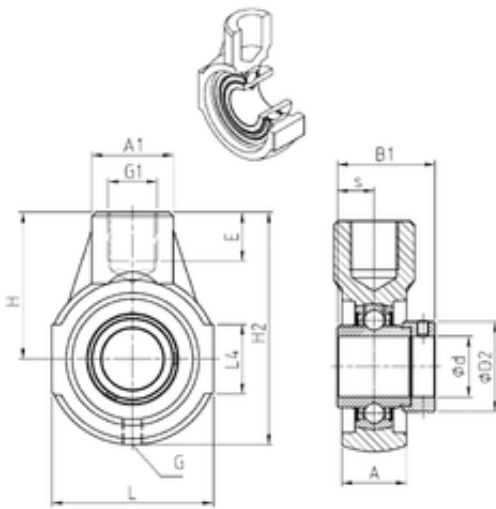




SNR Bearing Argentina

SNR EXEHE201 bearing units



EXEHE201 Bearing 2D drawings and 3D CAD models

Bearing No. EXEHE201

Bore Diameter	12 mm
d	12 mm
L4	38 mm
s	17 mm
A	25 mm
A1	30 mm
B1	43,5 mm
D2	33,3 mm
E	21 mm
G1	M16 mm
H	58 mm
H2	91 mm
L	65 mm
Thread (G)	R1/8"
Weight	0,8 Kg
Basic dynamic load rating (C)	12,8 kN
A2	30 mm
B	34 mm
A5	17 mm
d1	32.4 mm
G	R1/8"
L1	58 mm
L3	38 mm
s1	30.5 mm
S	17 mm
SW	3 mm



SNR Bearing Argentina

C	12.8 kN
C0	6.65 kN
T min.	-20 ° C
T max.	100 ° C
Recommended tightening torque for set screw	5.5 Nm
Designation of housing	EHE204-
Designation of bearing	EX201G2