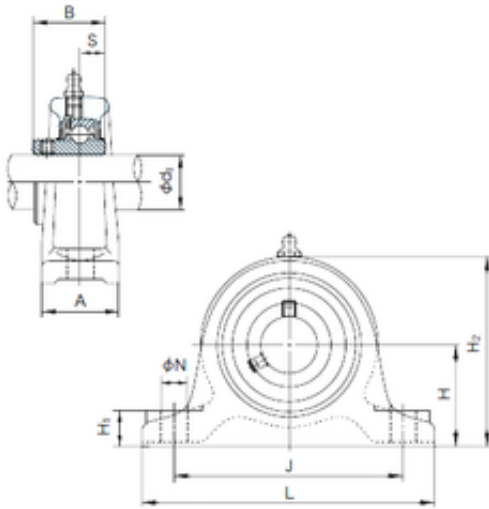




# SNR Bearing Argentina



## NACHI UCIP210 bearing units

Bearing No. UCIP210

Bore Diameter	50 mm
Width	51.6 mm
d	50 mm
A	60 mm
B	51.6 mm
H	70 mm
H1	28 mm
H2	132 mm
J	170 mm
L	220 mm
N	19 mm
S	19 mm
Bolt (G)	M16

UCIP210 Bearing 2D drawings and 3D CAD models