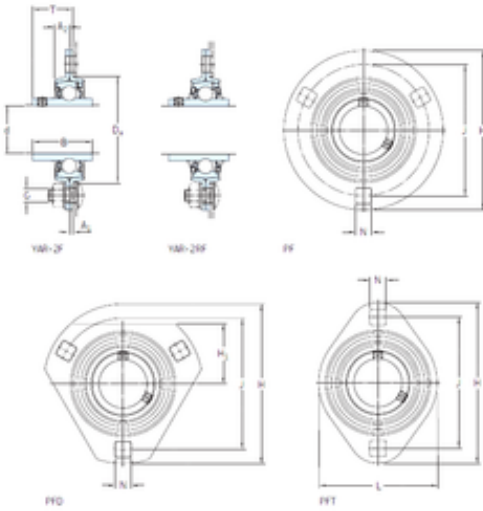




SNR Bearing Argentina



PFT 30 TR Bearing 2D drawings and 3D CAD models

SKF PFT 30 TR bearing units

Bearing No. PFT 30 TR

Bore Diameter	30 mm
Width	38,1 mm
d	30 mm
Da	71 mm
A1	2,5 mm
B	38,1 mm
G	10 mm
H	112 mm
H1	– mm
J	90,5 mm
L	84 mm
N	10,5 mm
T	24,7 mm
A2	9,5 mm
Weight	0,46 Kg
Basic dynamic load rating (C)	19,5 kN
Basic static load rating (C0)	11,2 kN
Housing material	Pressed steel
D _a min.	67 mm
A ₁	2.5 mm
A ₂	9.5 mm
B ₄	5 mm
s ₁	22.2 mm
Basic dynamic load rating C	19.5 kN
Basic static load rating C ₀	11.2 kN
Fatigue load limit P _u	0.475 kN



SNR Bearing Argentina

Limiting speed	3800 r/min
Mass bearing unit	0.45 kg
Thread grub screw G ₂	M6x0.75
Hexagonal key size for grub screw N	3 mm
Recommended tightening torque for grub screw	4 N · m
Recommended diameter for attachment bolts, mm G	10 mm
Recommended diameter for attachment bolts, inch G	0.375 in
Housing	PFT 62
Bearing	YAR 206-2RF