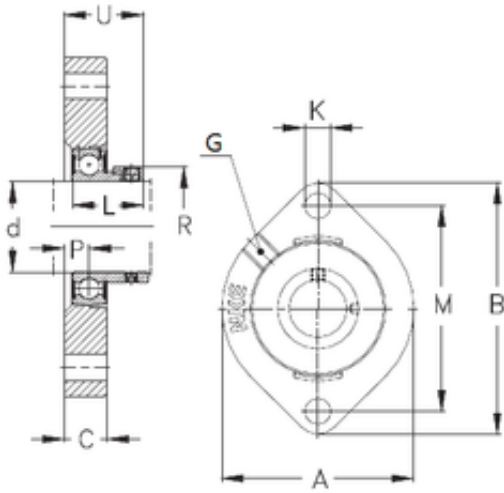




SNR Bearing Argentina



NKE GLCTE40 bearing units

Bearing No. GLCTE40

Bore Diameter	40 mm
d	40 mm
P	13,5 mm
V	100 mm
U	46,2 mm
K	14 mm
A	100 mm
B	150 mm
C	24 mm
L	43,7 mm
M	119 mm
R	58 mm
Thread (G)	R1/8 "

GLCTE40 Bearing 2D drawings and 3D CAD models