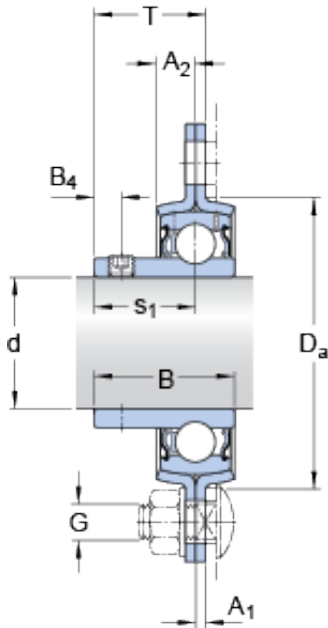




SNR Bearing Argentina



PF 17 RM Bearing 2D drawings and 3D CAD models

SKF PF 17 RM bearing units

Bearing No. PF 17 RM

Size	17x2x7 mm
Bore Diameter	17 mm
Outer Diameter	2 mm
Width	7 mm
d	17 mm
A ₁	2 mm
A ₂	7 mm
B	22.1 mm
B ₄	4 mm
D _a - min.	44 mm
J	63 mm
H	81 mm
H	7.1 mm
s ₁	15.9 mm
T	17.9 mm
Basic dynamic load rating - C	9.6 kN
Basic static load rating - C ₀	4.8 kN
Fatigue load limit - P _u	0.2 kN
Permissible radial housing load	max. 2.5 kN
Weight	0.2 kg
Thread - G ₂	M6x0.75
Hexagonal key size for grub screw - H	3 mm
Housing material	Pressed steel



SNR Bearing Argentina

A ₁	2 mm
A ₂	7 mm
B ₄	4 mm
D _a min.	44 mm
N	7.1 mm
s ₁	15.9 mm
Basic dynamic load rating C	9.56 kN
Basic static load rating C ₀	4.75 kN
Fatigue load limit P _u	0.2 kN
Permissible radial housing load max.	2.5 kN
Mass unit	0.2 kg
Thread grub screw G ₂	M6x0.75
Hexagonal key size for grub screw N	3 mm
Recommended tightening torque for grub screw	4 N · m
Recommended diameter for attachment bolts, mm G	6 mm
Recommended diameter for attachment bolts, inch G	0.25 in
Bearing	YAT 203
Housing	PF 40