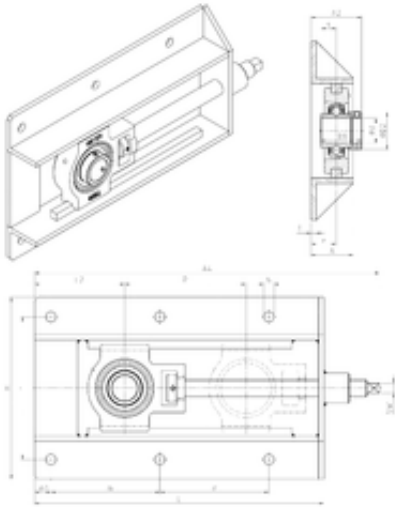




SNR Bearing Argentina



EXT208+WB Bearing 2D drawings and 3D CAD models

SNR EXT208+WB bearing units

Bearing No. EXT208+WB

| | |
|-------------------------------|---------|
| Bore Diameter | 40 mm |
| d | 40 mm |
| A4 | 591 mm |
| P | 300 mm |
| e | 30 mm |
| L2 | 108 mm |
| s | 21,4 mm |
| SW | 15 mm |
| A | 50 mm |
| B1 | 56,3 mm |
| D2 | 60,3 mm |
| H | 233 mm |
| J | 192 mm |
| L | 520 mm |
| M | 219 mm |
| M1 | 22 mm |
| N | 15 mm |
| T | 6 mm |
| A2 | 64,9 mm |
| Weight | 11,9 Kg |
| Basic dynamic load rating (C) | 29,6 kN |