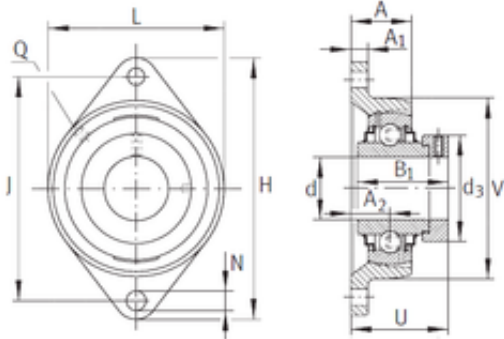




# SNR Bearing Argentina

## INA RCJT2-7/16 bearing units



Bearing No. RCJT2-7/16

Bore Diameter	61,913 mm
d	61,913 mm
V	140,005 mm
U	80,899 mm
Thread (Q)	1/8 NPT
d3	83,998 mm
A	49,505 mm
A1	18,009 mm
B	77,902 mm
H	238,989 mm
J	202,006 mm
L	140,005 mm
N	18,009 mm
A2	34,011 mm

RCJT2-7/16 Bearing 2D drawings and 3D CAD models