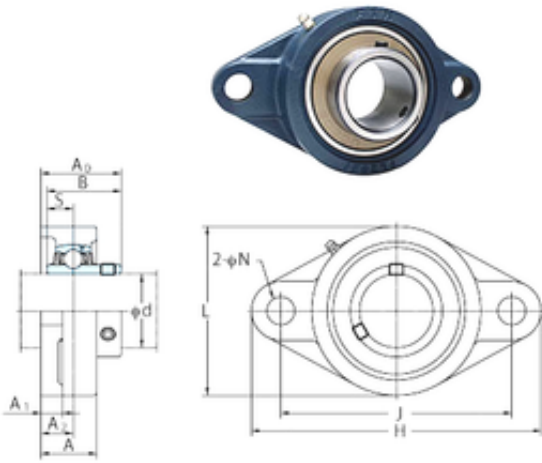




# SNR Bearing Argentina

## FYH UCFL315-47 bearing units

Bearing No. UCFL315-47



UCFL315-47 Bearing 2D drawings and 3D CAD models

Bore Diameter	74,6125 mm
d	74,6125 mm
A0	89 mm
A	66 mm
A1	30 mm
B	82 mm
H	320 mm
J	260 mm
L	195 mm
N	35 mm
S	32 mm
Bolt (G)	13,2
Bolt (G)	M30
A2	39 mm
Weight	11,3 Kg
Basic static load rating (C0)	113 kN