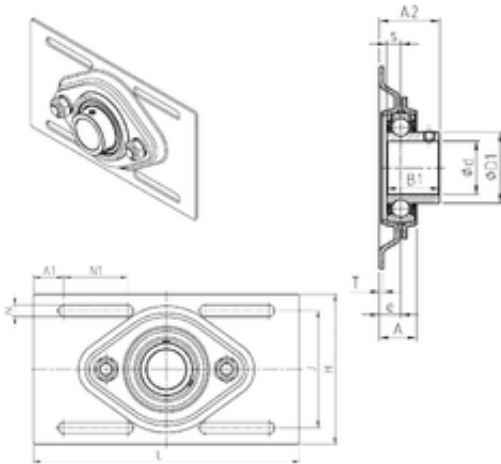




SNR Bearing Argentina



USPFE205 Bearing 2D drawings and 3D CAD models

SNR USPFE205 bearing units

Bearing No. USPFE205

Bore Diameter	25 mm
d	25 mm
e	10,3 mm
s	7,5 mm
A	19 mm
A1	23,4 mm
B1	27 mm
D1	34 mm
H	104,8 mm
J	80,2 mm
L	203,2 mm
N	8,7 mm
N1	48,5 mm
T	2 mm
A2	29,8 mm
Weight	0,6 Kg
Basic dynamic load rating (C)	14 kN