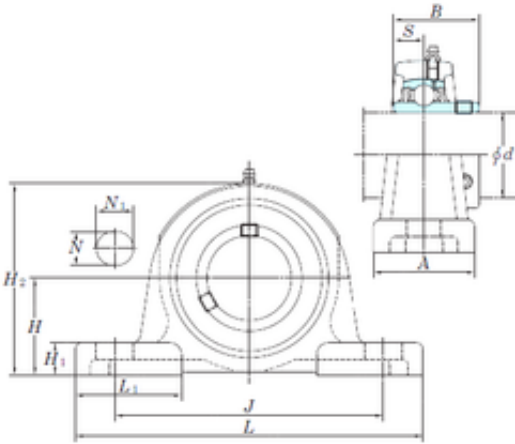




# SNR Bearing Argentina

## KOYO UCP315-48 bearing units

Bearing No. UCP315-48



UCP315-48 Bearing 2D drawings and 3D CAD models

Bore Diameter	76,2 mm
Width	82 mm
d	76,2 mm
A	100 mm
B	82 mm
H	100 mm
H1	35 mm
H2	198 mm
J	290 mm
L	380 mm
L1	107 mm
N	27 mm
N1	40 mm
S	32 mm
Bolt (G)	M22
Weight	14,8 Kg
Basic dynamic load rating (C)	113 kN
Basic static load rating (C0)	77,2 kN