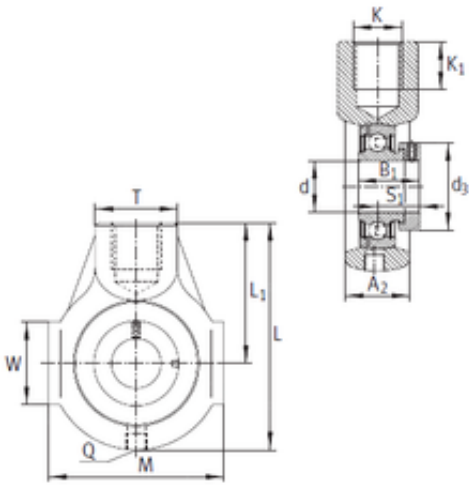




# SNR Bearing Argentina

## INA PHE40 bearing units

Bearing No. PHE40



PHE40 Bearing 2D drawings and 3D CAD models

Bore Diameter	40 mm
d	40 mm
S1	32,7 mm
K1	24 mm
Thread (Q)	Rp1/8
Thread (K)	M24
d3	58 mm
B1	43,8 mm
L	135 mm
L1	85 mm
M	100 mm
T	40 mm
W	45 mm
A2	36 mm
Weight	1,65 Kg
Basic dynamic load rating (C)	32,5 kN
Category	Mounted Units & Inserts
Inventory	0.0
Manufacturer Name	SCHAEFFLER GROUP
Minimum Buy Quantity	N/A
Weight / Kilogram	2
Product Group	M06110