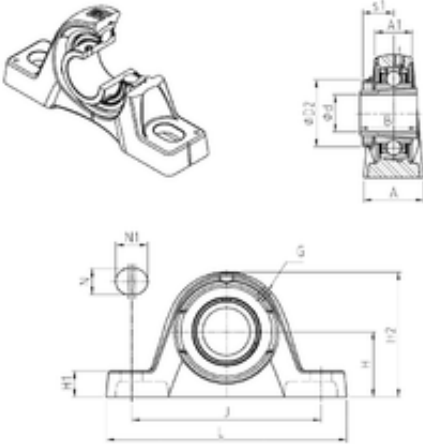




SNR Bearing Argentina

SNR UKPLE205H bearing units

Bearing No. UKPLE205H



UKPLE205H Bearing 2D drawings and 3D CAD models

Bore Diameter	20 mm
d	20 mm
s1	18,5 mm
A	36,5 mm
A1	24,5 mm
B	35 mm
D2	38 mm
H	33,3 mm
H1	12,8 mm
H2	67,8 mm
J	104,2 mm
L	139 mm
N	11 mm
N1	17 mm
Thread (G)	M6x1
Weight	0,8 Kg
Basic dynamic load rating (C)	14 kN