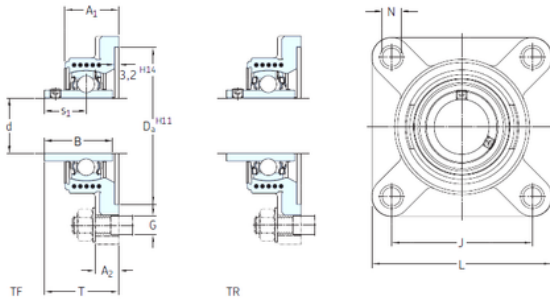




SNR Bearing Argentina



SKF FYK 30 TF bearing units

Bearing No. FYK 30 TF

Bore Diameter	30 mm
d	30 mm
Da	93,7 mm
s1	22,2 mm
A1	33 mm
B	38,1 mm
G	10 mm
J	82,5 mm
L	108 mm
N	12 mm
T	42,2 mm
A2	15,3 mm
Weight	0,48 Kg
Basic dynamic load rating (C)	19,5 kN
Basic static load rating (C0)	11,2 kN
Fatigue load limit (Pu)	0,475
Category	Bearings
Inventory	0.0
Manufacturer Name	SKF
Minimum Buy Quantity	N/A
Weight / Kilogram	0.482
Product Group	M06110
Housing material	Composite
D _a	93.7 mm
D _b	78 mm
A	33 mm

FYK 30 TF Bearing 2D drawings and 3D CAD models



SNR Bearing Argentina

A ₁	15.3 mm
A ₃	3.2 mm
A ₅	20 mm
s ₁	22.2 mm
Basic dynamic load rating C	19.5 kN
Basic static load rating C ₀	11.2 kN
Fatigue load limit P _u	0.475 kN
Limiting speed	6300 r/min
Mass bearing unit	0.48 kg
Thread grub screw G ₂	M6x0.75
Hexagonal key size for grub screw N	3 mm
Recommended tightening torque for grub screw	4 N · m
Recommended diameter for attachment bolts, mm G	10 mm
Recommended diameter for attachment bolts, inch G	0.375 in
Housing	FYK 506
Bearing	YAR 206-2F
End cover	ECY 206