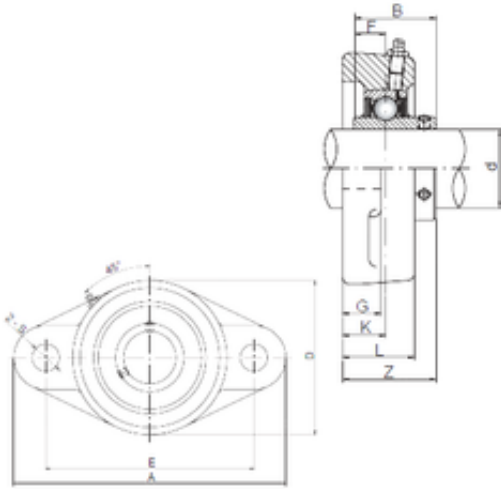




# SNR Bearing Argentina

55 mm x 150 mm x 66 mm ISO UCFL311 bearing units

Bearing No. UCFL311



Bore Diameter	55 mm
d	55 mm
B	66 mm
Z	71 mm
A	250 mm
D	150 mm
E	198 mm
F	25 mm
G	20 mm
K	30 mm
L	52 mm
S	25 mm
Bolt (G)	M22

UCFL311 Bearing 2D drawings and 3D CAD models