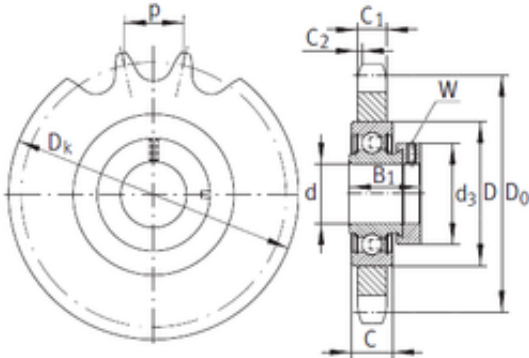




SNR Bearing Argentina

INA KSR15-B0-10-10-14-08 bearing units



Bearing No. KSR15-B0-10-10-14-08

Bore Diameter	15 mm
d	15 mm
Number of teeth	14
Do	71,3 mm
Dk	78 mm
d3	28 mm
B1	28,3 mm
C	12 mm
C1	8,7 mm
D	40 mm
W	3 mm
C2	1,3 mm
Weight	0,26 Kg
1	DIN 8187

KSR15-B0-10-10-14-08 Bearing 2D drawings and 3D CAD models