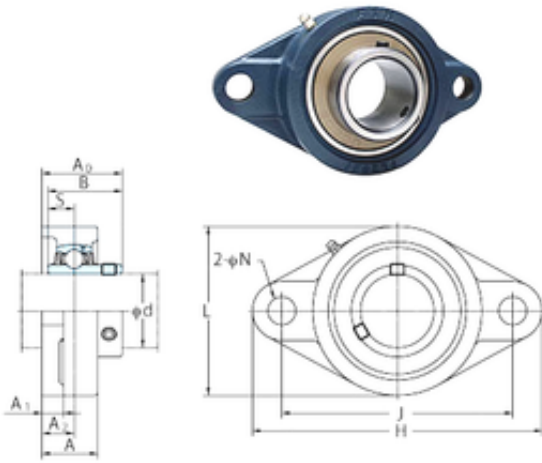




# SNR Bearing Argentina

## FYH UCFLX09 bearing units

Bearing No. UCFLX09



UCFLX09 Bearing 2D drawings and 3D CAD models

Bore Diameter	45 mm
d	45 mm
A0	55,6 mm
A	40 mm
A1	14 mm
B	51,6 mm
H	189 mm
J	157 mm
L	116 mm
N	16 mm
S	19 mm
Bolt (G)	14,4
Bolt (G)	M14
A2	23 mm
Weight	2,4 Kg
Basic static load rating (C0)	35,1 kN