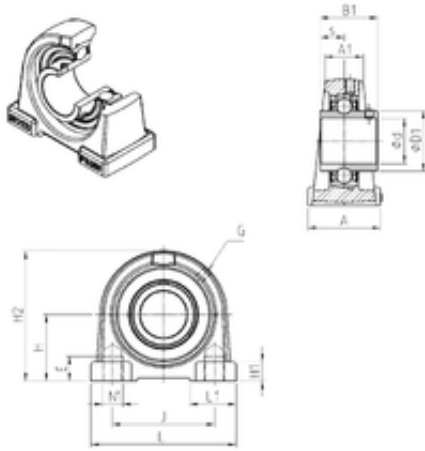




SNR Bearing Argentina



SNR UCPAE209 bearing units

Bearing No. UCPAE209

Bore Diameter	45 mm
d	45 mm
s	19 mm
A	48 mm
A1	32 mm
B1	49,2 mm
D1	57,2 mm
E	15 mm
H	53,9 mm
H1	14 mm
H2	107 mm
J	95,3 mm
L	120 mm
L1	29 mm
Thread (G)	R1/8"
Thread (N1)	M12
Weight	1,9 Kg
Basic dynamic load rating (C)	31,85 kN

UCPAE209 Bearing 2D drawings and 3D CAD models