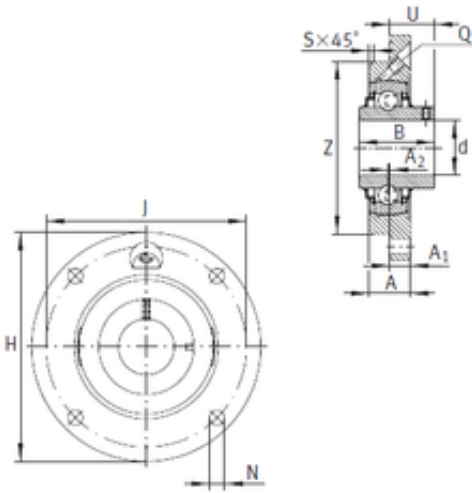




# SNR Bearing Argentina



## INA RMEY35-N bearing units

Bearing No. RMEY35-N

Bore Diameter	35 mm
d	35 mm
U	24,4 mm
Thread (Q)	M6
Z	90 mm
A	20,5 mm
A1	10 mm
B	42,9 mm
H	135 mm
J	110 mm
N	11,5 mm
S	2 mm
A2	1 mm
Weight	1,28 Kg
Basic dynamic load rating (C)	25,5 kN
Category	Flange Block Bearings
Inventory	0.0
Manufacturer Name	SCHAEFFLER GROUP
Minimum Buy Quantity	N/A
Weight / Kilogram	1.533
EAN	4012802803013
Product Group	M06110
Number of Mounting Holes	4
Mounting Method	Set Screw
Housing Style	4 Bolt Round Flange Cartridge

RMEY35-N Bearing 2D drawings and 3D CAD models



## SNR Bearing Argentina

Rolling Element	Ball Bearing
Housing Material	Cast Iron
Expansion / Non-expansion	Non-expansion
Mounting Bolts	11.5 Millimeter
Relubricatable	Yes
Insert Part Number	GYE35KRRB
Seals	Double Land Riding Rubber Contact
Housing Configuration	1 Piece Solid
Pilot Configuration	With Pilot
Inch - Metric	Metric
Long Description	4 Bolt Round Flange Cartridge; 35MM Bore; 110MM Bolt Circle; 77.8MM Bolt Spacing; 1 Piece Solid; Set Screw Mount; Cast Iron; Ball Bearing; 42.9MM Length Thru Bore; Relubricatable; Double Land Riding R
Other Features	Single Row   Radial   Centering Spigot   Metric   With Grub Screw
Category	Flange Block
UNSPSC	31171501
Harmonized Tariff Code	8483.20.40.40
Noun	Bearing
Keyword String	Flanged
Manufacturer URL	<a href="http://www.ina.com">http://www.ina.com</a>
Manufacturer Item Number	RMEY35
Weight / LBS	2.822
Bolt Spacing	3.1 Inch   77.8 Millimeter
Cartridge Pilot Diameter	3.543 Inch   90 Millimeter
Bore	1.378 Inch   35 Millimeter
Nominal Bolt Circle Diameter Round	4.3 Inch   110 Millimeter



## SNR Bearing Argentina

Cartridge Pilot Depth	0.335 Inch   8.5 Millimeter
Length Thru Bore	1.689 Inch   42.9 Millimeter