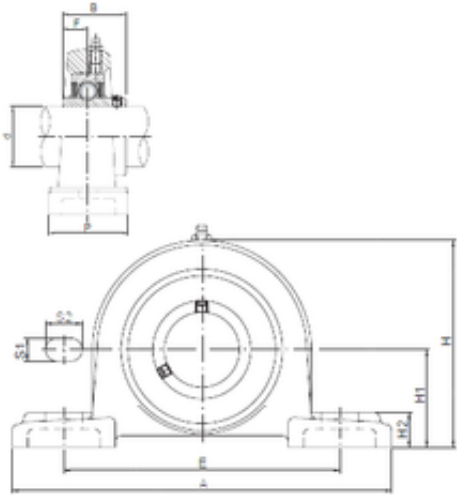




SNR Bearing Argentina



ISO UCPX09 bearing units

Bearing No. UCPX09

Bore Diameter	45 mm
d	45 mm
S1	20 mm
P	67 mm
A	222 mm
B	51,6 mm
E	156 mm
F	19 mm
H	116 mm
H1	58,7 mm
H2	26 mm
S2	23 mm
Bolt (G)	M16

UCPX09 Bearing 2D drawings and 3D CAD models