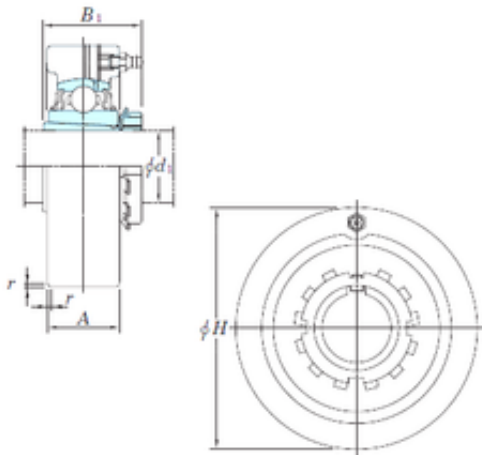




SNR Bearing Argentina



KOYO UKC305 bearing units

Bearing No. UKC305

Bore Diameter	20 mm
d	20 mm
r	2 mm
A	26 mm
B1	35 mm
H	90 mm
Weight	1,6 Kg
Basic dynamic load rating (C)	21,2 kN
Basic static load rating (C0)	10,9 kN

UKC305 Bearing 2D drawings and 3D CAD models