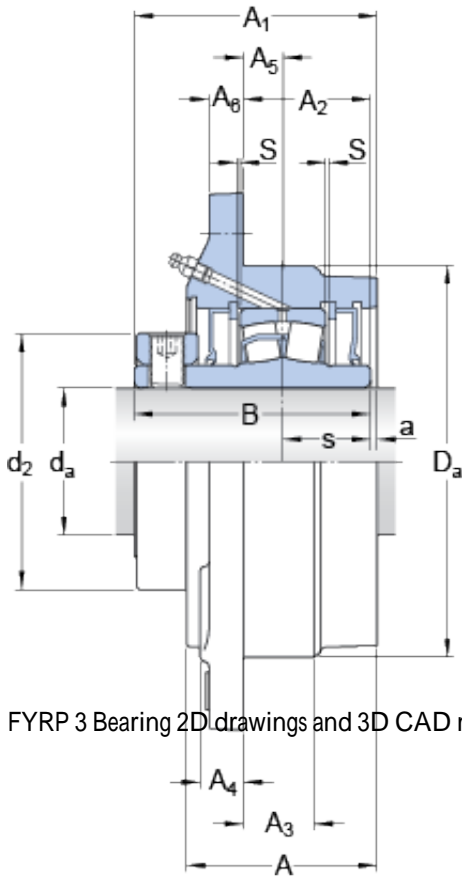




# SNR Bearing Argentina



FYRP 3 Bearing 2D drawings and 3D CAD models

## SKF FYRP 3 bearing units

Bearing No. FYRP 3

Size	76.2x111.125x161.925 mm
Bore Diameter	76,2 mm
Outer Diameter	111,125 mm
Width	161,925 mm
d <sub>a</sub>	76.2 mm
d <sub>2</sub>	111.125 mm
D <sub>a</sub>	161.925 mm
A	79.375 mm
A <sub>1</sub>	98.425 mm
A <sub>2</sub>	51.594 mm
A <sub>3</sub>	31.75 mm
A <sub>4</sub>	20.638 mm
A <sub>5</sub>	20.638 mm
A <sub>6</sub>	17.462 mm
B	92.075 mm
a	7.144 mm
J	190.5 mm
L	222.25 mm
N <sub>1</sub>	17.462 mm
s	31.75 mm
S	0.794 mm
Basic dynamic load rating - C	158 kN
Limiting speed	2800 r/min
Category	Flange Block Bearings



## SNR Bearing Argentina

Inventory	0.0
Manufacturer Name	SKF
Minimum Buy Quantity	N/A
Weight / Kilogram	8.85
Product Group	M06288
Number of Mounting Holes	4
Mounting Method	Concentric Collar
Housing Style	4 Bolt Round Flange Cartridge
Rolling Element	Spherical Roller Bearing
Housing Material	Cast Iron
Expansion / Non-expansion	Expansion
Mounting Bolts	5/8 Inch
Relubricatable	Yes
Insert Part Number	22215
Seals	Trigard
Housing Configuration	1 Piece Solid
Pilot Configuration	With Pilot
Inch - Metric	Inch
Long Description	4 Bolt Round Flange Cartridge; 3" Bore; 7-1/2" Bolt Circle; 5.3" Bolt Spacing; 1 Piece Solid; Concentric Collar Mount; Cast Iron; Spherical Roller Bearing; 3-5/8" Length Thru Bore;
Other Features	Double Row   Heavy Duty   Open End   With Set Screw
Category	Flange Block
UNSPSC	31171501
Harmonized Tariff Code	8483.20.40.80
Noun	Bearing
Keyword String	Flanged
Manufacturer URL	<a href="http://www.skf.com">http://www.skf.com</a>



## SNR Bearing Argentina

Manufacturer Item Number	FYRP 3
Weight / LBS	19.5
Length Thru Bore	3.625 Inch   92.075 Millimeter
Bore	3 Inch   76.2 Millimeter
Nominal Bolt Circle Diameter Round	7.5 Inch   190 Millimeter
Bolt Spacing	5.3 Inch   134.7 Millimeter
Cartridge Pilot Diameter	6.375 Inch   161.92 Millimeter
Cartridge Pilot Depth	1.25 Inch   31.75 Millimeter
bore diameter:	3 in
locking device:	Set Screw
bolt center-to-center length:	7.5000 in
expansion type:	Non-Expansion Bearing (Fixed)
bolt circle diameter:	7-1/2 in
seal type:	Contact/Lip
overall length/diameter:	8.7500 in
overall depth:	3-29/32 in
flange mounting type:	Four-Bolt Piloted
radial dynamic load capacity:	35500 lb
bearing type:	Spherical Roller
radial static load capacity:	46800 lb
housing construction:	Solid Flange Mount
operating temperature range:	Maximum of +110 ° F
bore type:	Round
finish/coating:	Uncoated
duty type:	Standard Duty
lubrication type:	Lubrication Fitting
housing material:	Cast Iron
series:	222



## SNR Bearing Argentina

$d_a$	76.2 mm
$d_2$	111.125 mm
$D_a$	161.925 mm
$A_1$	98.425 mm
$A_2$	51.594 mm
$A_3$	31.75 mm
$A_4$	20.637 mm
$A_5$	20.637 mm
$A_6$	17.462 mm
$N_1$	17.462 mm
Basic dynamic load rating C	158 kN
Mass bearing unit	8.85 kg
Attachment bolt diameter G	15.875 mm