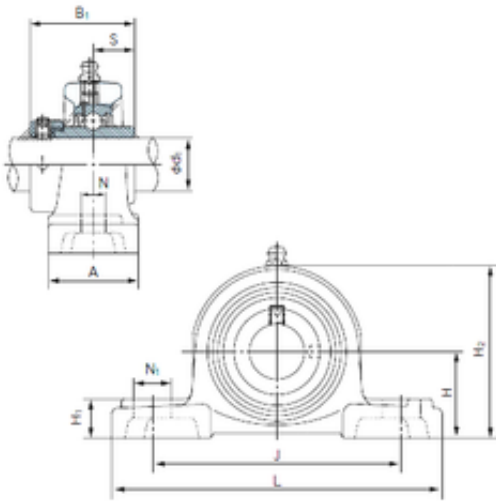




# SNR Bearing Argentina



## NACHI UGP206 bearing units

Bearing No. UGP206

Bore Diameter	30 mm
Width	42.9 mm
d	30 mm
A	48 mm
B1	48.4 mm
H	42.9 mm
H1	18 mm
H2	83 mm
J	121 mm
L	165 mm
N	17 mm
N1	21 mm
S	18.3 mm
Bolt (G)	M14

UGP206 Bearing 2D drawings and 3D CAD models