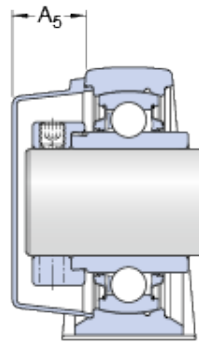
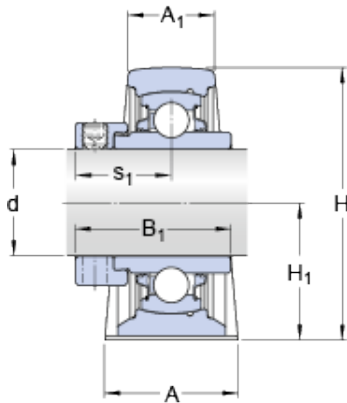




SNR Bearing Argentina



SKF SY 1.1/4 WDW bearing units

Bearing No. SY 1.1/4 WDW

Size	31.75x45x27 mm
Bore Diameter	31,75 mm
Outer Diameter	45 mm
Width	27 mm
d	31.75 mm
A	45 mm
A ₁	27 mm
A ₅	22 mm
B ₁	51.1 mm
H	93 mm
H ₁	47.6 mm
H ₂	19 mm
J	126 mm
J - max.	133 mm
J - min.	119 mm
L	160 mm
H	21 mm
N ₁	14 mm
s ₁	32.3 mm
J ₆	146 mm
J ₇	15.5 mm
N ₄	4 mm
Basic dynamic load rating - C	25.5 kN
Basic static load rating - C ₀	15.3 kN

SY 1.1/4 WDW Bearing 2D drawings and 3D CAD models



SNR Bearing Argentina

Fatigue load limit - P_u	0.655 kN
Limiting speed	1100 r/min
Weight	1.65 kg
Hexagonal key size for grub screw - H	4.762 mm
Housing material	Cast iron
A_1	27 mm
A_5	22 mm
B_1	51.1 mm
H_1	47.6 mm
H_2	19 mm
J max.	133 mm
J min.	119 mm
N	21 mm
N_1	14 mm
s_1	32.3 mm
J_6	146 mm
J_7	15.5 mm
N_4	4 mm
Basic dynamic load rating C	25.5 kN
Basic static load rating C_0	15.3 kN
Fatigue load limit P_u	0.655 kN
Mass bearing unit	1.65 kg
Thread grub screw G_2	3/8-24 UNF
Hexagonal key size for grub screw N	4.763 mm
Recommended tightening torque for grub screw	16.5 N · m
Recommended diameter for attachment bolts, mm G	12 mm
Recommended diameter for attachment bolts, inch G	0.5 in
Housing	SY 507 M/VZ033
Bearing	YELAG 207-104



SNR Bearing Argentina

End cover	ECY 207
-----------	---------