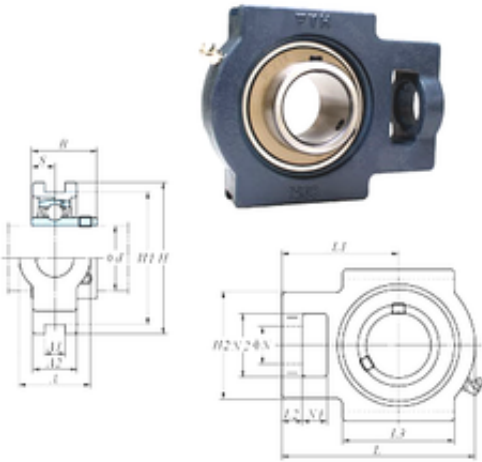




# SNR Bearing Argentina

## FYH UCT205-16E bearing units

Bearing No. UCT205-16E



UCT205-16E Bearing 2D drawings and 3D CAD models

Bore Diameter	25,4 mm
d	25,4 mm
L2	10 mm
L3	51 mm
A	32 mm
A1	13,5 mm
B	34,1 mm
H	89 mm
H1	76,2 mm
H2	51 mm
L	97 mm
L1	62 mm
N	19 mm
N1	16 mm
S	14,3 mm
A2	24 mm
N2	32 mm
Weight	0,84 Kg
Basic dynamic load rating (C)	14 kN
Basic static load rating (C0)	7,85 kN