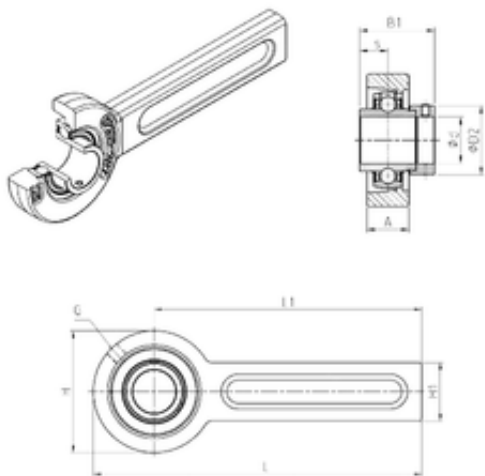




SNR Bearing Argentina



SNR EXSP206 bearing units

Bearing No. EXSP206

Bore Diameter	30 mm
d	30 mm
s	18,2 mm
A	21 mm
B1	48,3 mm
D2	44,5 mm
H	98 mm
H1	41 mm
L	274 mm
L1	225 mm
Thread (G)	R1/8"
Weight	2 Kg
Basic dynamic load rating (C)	19,5 kN
B	36.4 mm
A5	18.2 mm
d1	44.1 mm
G	R1/8"
H2	41 mm
s1	34.1 mm
S	18.2 mm
SW	4 mm
C	19.5 kN
C0	11.2 kN
T min.	-20 ° C
T max.	100 ° C
Recommended tightening	11.5 Nm

EXSP206 Bearing 2D drawings and 3D CAD models



SNR Bearing Argentina

torque for set screw	
Designation of housing	SP206-207/62-
Designation of bearing	EX206G2