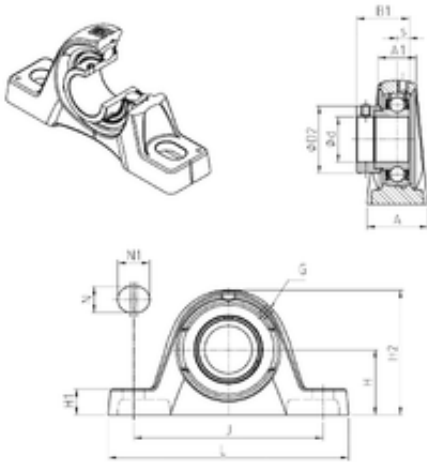




SNR Bearing Argentina



SNR ESPLE202 bearing units

Bearing No. ESPLE202

Bore Diameter	15 mm
d	15 mm
s	6,5 mm
A	30 mm
A1	20,5 mm
B1	28,6 mm
D2	28,6 mm
H	27 mm
H1	11 mm
H2	54 mm
J	88,5 mm
L	119 mm
N	11 mm
N1	14 mm
Thread (G)	M6x1
Weight	0,5 Kg
Basic dynamic load rating (C)	9,55 kN

ESPLE202 Bearing 2D drawings and 3D CAD models