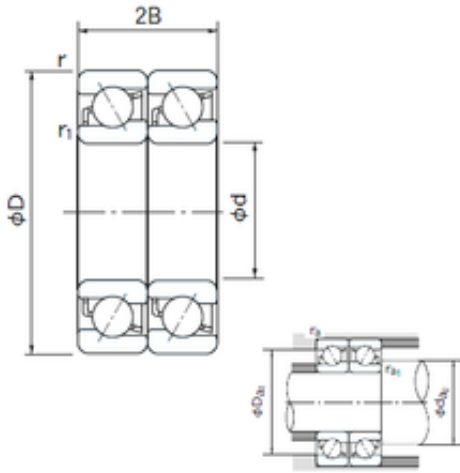




SNR Bearing Argentina



55 mm x 90 mm x 18 mm NACHI 7011DT
angular contact ball bearings

Bearing No. 7011DT

7011DT Bearing 2D drawings and 3D CAD models

Size	55x90x18 mm
Bore Diameter	55 mm
Outer Diameter	90 mm
Width	18 mm
d	55 mm
D	90 mm
B	18 mm
C	18 mm
Angle (°)	30 °
a	11.9 mm
r min.	1.1 mm
r1 min.	0.6 mm
2B	36 mm
da min.	61 mm
Da max.	86 mm
ra max.	0.6 mm
Weight	0.420 Kg
Basic dynamic load rating (C)	50,5 kN
Basic static load rating (C0)	52,5 kN
(Grease) Lubrication Speed	5000 r/min
Bore Type	Cylindrical Bore
Enclosure	Open
Configuration	Duplex
Bore Size	55 mm
Outside Diameter	90 mm



SNR Bearing Argentina

Width	18 mm
Fillet Radius/Chamfer	1.1 mm
r1	0.6 mm
Dynamic Load Rating	50,500 N
Static Load Rating	52,500 N
Limiting Speed - Grease	5,000 rpm
Limiting Speed - Oil	6,700 rpm
da1 (min)	61 mm
da2 (min)	61 mm
Da1 (max)	84 mm
Da2 (max)	86 mm
ra (max)	1 mm
ra1 (max)	0.6 mm