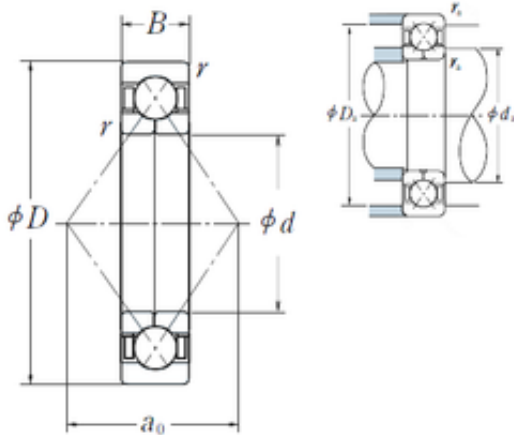




## SNR Bearing Argentina



85 mm x 180 mm x 41 mm NSK QJ317 angular contact ball bearings

Bearing No. QJ317

QJ317 Bearing 2D drawings and 3D CAD models

Size	85x180x41 mm
Bore Diameter	85 mm
Outer Diameter	180 mm
Width	41 mm
d	85 mm
D	180 mm
B	41 mm
C	41 mm
Angle ( ° )	35 °
a	92,8 mm
r min.	3 mm
da min.	99 mm
da max	166 mm
ra max.	2,5 mm
Weight	5,34 Kg
Basic dynamic load rating (C)	218 kN
Basic static load rating (C0)	405 kN
(Grease) Lubrication Speed	3 000 r/min
SRI	15.68
hidYobi	QJ317
LangID	1
ALP23	0
ALP22	0
D_	180
ALP21	35



## SNR Bearing Argentina

SREX	0.125
B_	41
hidTable	ecat_NSANGFP
Oil rpm	4000
C0r	41000
SRE	15.68
mass	5.34
GRS rpm	3000
ra	2.5
SRIX	0.125
D_a	166
Cr	22300
SRIN	0
C0	405
SREN	0
DE_	162.964
Prod_Type3	ACBB_FP_A
da	99
DA_	30.162
Z_	11
yobi	QJ317
ao	92.8
SDM_	132.5
r	3
KBRG	7764
DI_	102.124