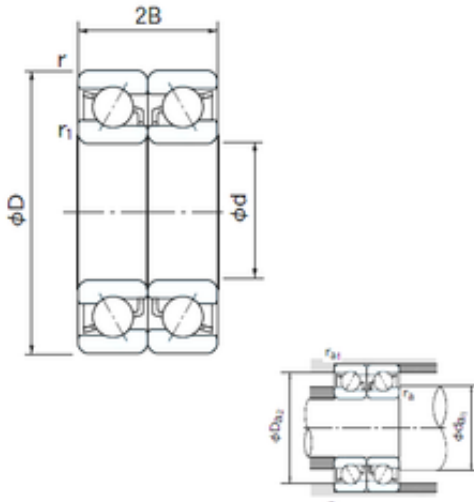




## SNR Bearing Argentina



7011DB Bearing 2D drawings and 3D CAD models

55 mm x 90 mm x 18 mm NACHI 7011DB  
angular contact ball bearings

Bearing No. 7011DB

Size	55x90x18 mm
Bore Diameter	55 mm
Outer Diameter	90 mm
Width	18 mm
d	55 mm
D	90 mm
B	18 mm
C	18 mm
Angle ( ° )	30 °
a	11.9 mm
r min.	1.1 mm
r1 min.	0.6 mm
2B	36 mm
da min.	61 mm
Da max.	86 mm
ra max.	0.6 mm
Weight	0.420 Kg
Basic dynamic load rating (C)	50,5 kN
Basic static load rating (C0)	52,5 kN
(Grease) Lubrication Speed	5000 r/min
Bore Type	Cylindrical Bore
Enclosure	Open
Configuration	Duplex
Bore Size	55 mm
Outside Diameter	90 mm



## SNR Bearing Argentina

Width	18 mm
Fillet Radius/Chamfer	1.1 mm
r1	0.6 mm
Dynamic Load Rating	50,500 N
Static Load Rating	52,500 N
Limiting Speed - Grease	5,000 rpm
Limiting Speed - Oil	6,700 rpm
da1 (min)	61 mm
da2 (min)	61 mm
Da1 (max)	84 mm
Da2 (max)	86 mm
ra (max)	1 mm
ra1 (max)	0.6 mm