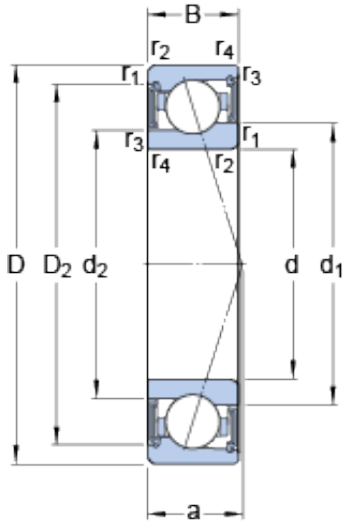




SNR Bearing Argentina



85 mm x 120 mm x 18 mm SKF S71917 CE/HCP4A angular contact ball bearings

Bearing No. S71917 CE/HCP4A

S71917 CE/HCP4A Bearing 2D drawings and 3D CAD models

Size	120x85x18 mm
Bore Diameter	120 mm
Outer Diameter	85 mm
Width	18 mm
d	85 mm
D	120 mm
B	18 mm
d ₁	96 mm
d ₂	92.9 mm
D ₂	112.3 mm
r _{1,2} - min.	1.1 mm
r _{3,4} - min.	0.6 mm
a	23.4 mm
d _a - min.	91 mm
d _a - max.	95.4 mm
d _b - min.	88.2 mm
d _b - max.	92.3 mm
D _a - max.	114 mm
D _b - max.	116.8 mm
r _a - max.	1 mm
r _b - max.	0.6 mm
Basic dynamic load rating - C	29.6 kN
Basic static load rating - C ₀	23.2 kN
Fatigue load limit - P _u	0.95 kN



SNR Bearing Argentina

Limiting speed for grease lubrication	18000 r/min
Ball - D_w	11.112 mm
Ball - z	23
Calculation factor - f_0	8.4
Preload class A - G_A	160 N
Preload class B - G_B	479 N
Preload class C - G_C	957 N
Calculation factor - f	1.16
Calculation factor - f	1
Calculation factor - f_{2A}	1
Calculation factor - f_{2B}	1.05
Calculation factor - f_{2C}	1.09
Calculation factor - f_{HC}	1.01
Preload class A	69 N/micron
Preload class B	109 N/micron
Preload class C	150 N/micron
d_1	96 mm
d_2	92.9 mm
D_2	112.3 mm
$r_{1,2}$ min.	1.1 mm
$r_{3,4}$ min.	0.6 mm
d_a min.	91 mm
d_a max.	95.4 mm
d_b min.	88.2 mm
d_b max.	92.3 mm
D_a max.	114 mm
D_b max.	116.8 mm
r_a max.	1 mm
r_b max.	0.6 mm
Basic dynamic load rating C	29.6 kN



SNR Bearing Argentina

Basic static load rating C_0	23.2 kN
Fatigue load limit P_u	0.95 kN
Attainable speed for grease lubrication	18000 r/min
Ball diameter D_w	11.112 mm
Number of balls z	23
Preload class A G_A	160 N
Static axial stiffness, preload class A	69 N/ μ m
Preload class B G_B	479 N
Static axial stiffness, preload class B	109 N/ μ m
Preload class C G_C	957 N
Static axial stiffness, preload class C	150 N/ μ m
Calculation factor f	1.16
Calculation factor f_1	1
Calculation factor f_{2A}	1
Calculation factor f_{2B}	1.05
Calculation factor f_{2C}	1.09
Calculation factor f_{HC}	1.01
Calculation factor f_0	8.4
Mass bearing	0.44 kg